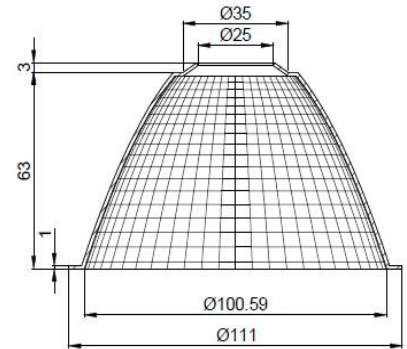
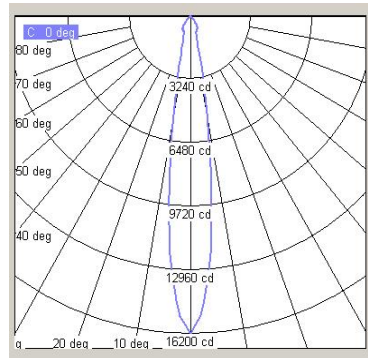


Reflector for OSRAM Preva LED Core Z2

Series: 111mm



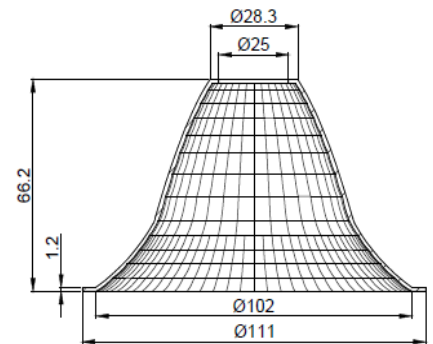
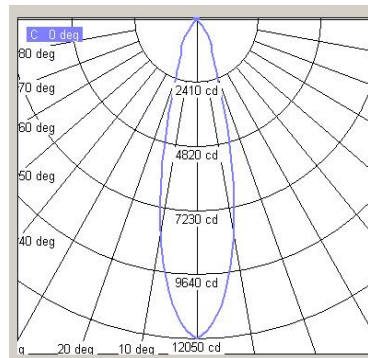
Spot≈15°



Part No. OS 4021-111-15	LED Type Core Z2 3000/4000lm	Surface Anodize	Design Rectangular facets	Beam Angle 2x 7.5°=15°	LOR 91%
-----------------------------------	--	---------------------------	-------------------------------------	----------------------------------	-------------------



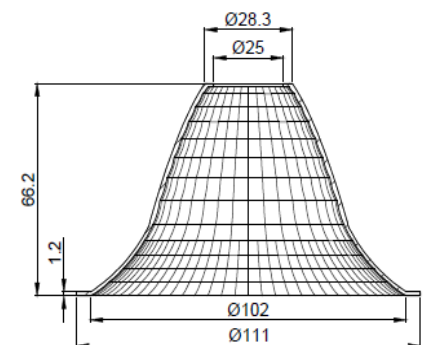
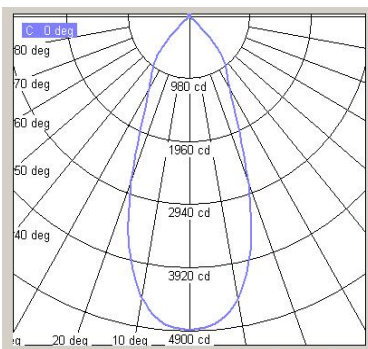
Medium≈28°



Part No. OS 4005-111-26	LED Type Core Z2 3000/4000lm	Quality Anodize	Design spherical facets	Beam Angle 2x 14°=28°	LOR 90%
-----------------------------------	--	---------------------------	-----------------------------------	---------------------------------	-------------------



Spot≈38°



Part No. OS 4006-111-38	LED Type Core Z2 3000/4000lm	Quality Anodize	Design spherical facets	Beam Angle 2x 19°=38°	LOR 91%
-----------------------------------	--	---------------------------	-----------------------------------	---------------------------------	-------------------